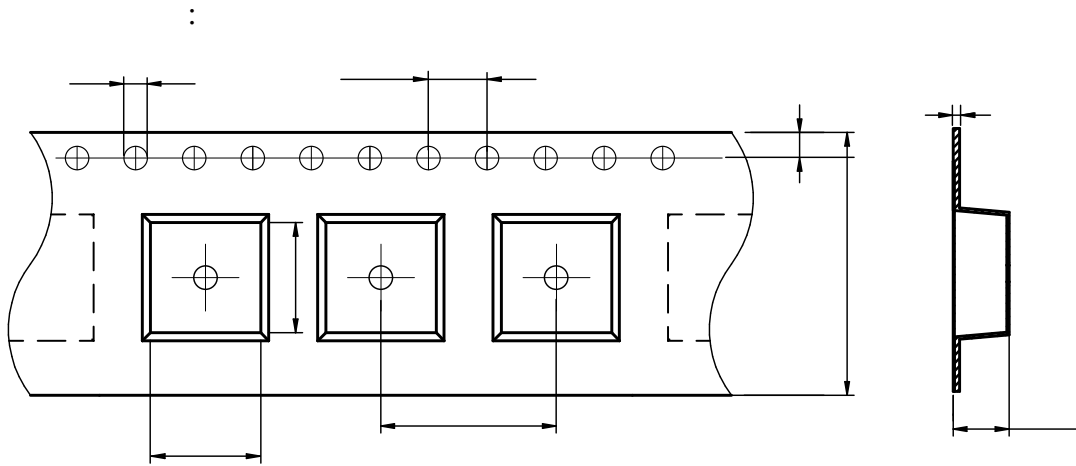
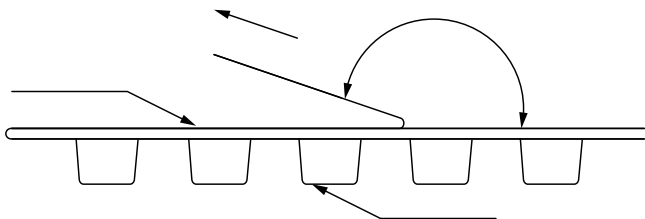


c  
c  
c



MDTA7020	$8.2 \pm 0.1$	$8.0 \pm 0.1$	$1.5 \pm 0.1$	$4.0 \pm 0.1$	$12.0 \pm 0.1$	$16.0 \pm 0.3$	$2.3 \pm 0.1$	$1.75 \pm 0.1$	$0.35 \pm 0.05$



The peel force of top cover tape shall be between 0.1 to 1.3 N

Marking	Printing (Inductance)
---------	-----------------------

